

hydraulic power pack

The HPP2200 is a development of MELECS. We have a long-term experience in designing and manufacturing electro-mechanic assemblies and electronic control units in various automotive applications. State of the art key-components in automotive applications require high-performance, low-weight and no-maintenance components and modules. These requirements are fully met by this product.

Flexible design to adapt your motor and pump requirements.

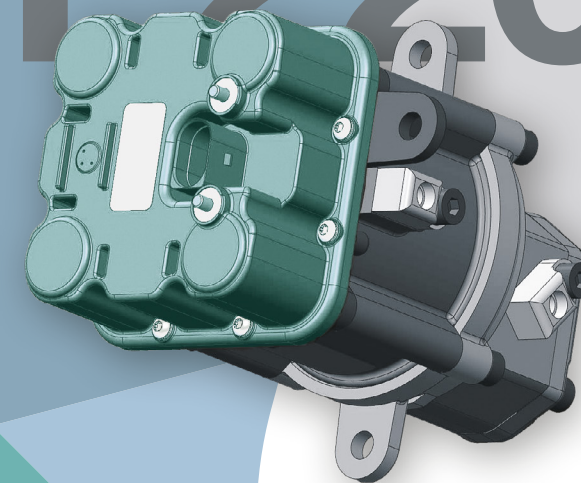
If required, a complete power pack could be provided for evaluation purposes,
For special applications with different requirements please contact MELECS.

MELECS EWS GmbH & Co KG
GZO-Technologiestrasse 1
7011 Siegendorf
phone +43 (0) 57577-2900
office_ews@melecs.com
www.melecs.com

hydraulic
power pack
other configurations
available

48 Volt

HPP2200



applications

Active suspension
Tailgate activation
Convertible hood
Niveau control
Electro hydraulic steering
Winch drive
External hydraulic drives
Hydraulic trailer brakes
Hydraulic actuators for boats

The **system** comprises a pump/motor/controller-system for automotive applications and can be customized for different concepts in automotive, nautic or industrial applications.

The **motor** is a long-lifetime, high-efficient BLDC engine. Other power requirements are available on request.

The **electronic control unit** comprises a 3 phase MOSFET bridge, vector control and CAN-bus.

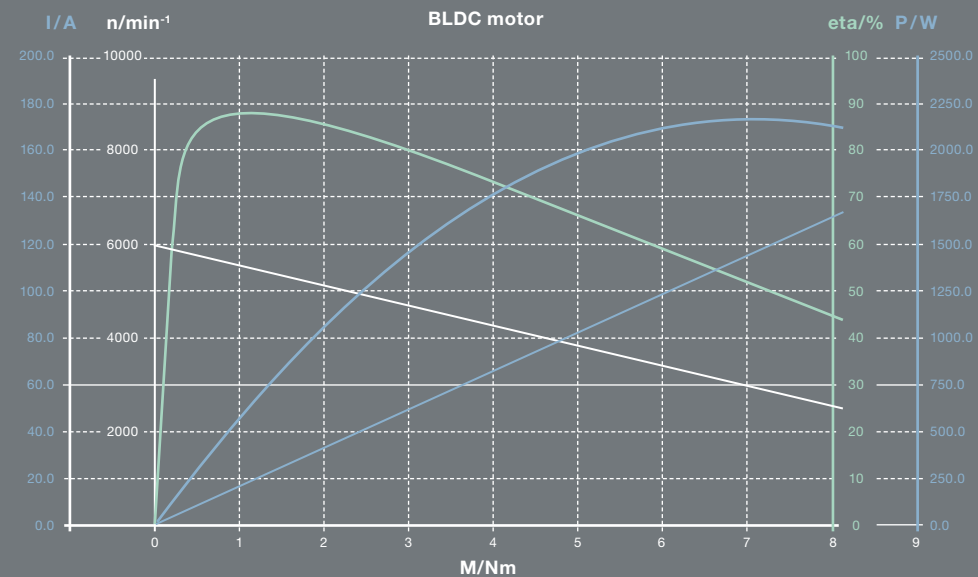
specifications

The HPP2200 is designed for usage in harsh environment:

Housing IP6K9K
 Mounting plate temperature up to 120 °C
 Accelerations up to 30 g
 Lifetime up to 10.000 h

Other specifications are available on request

performance curve



powerpack characteristics

Nominal Voltage	U_N	48	V
Nominal Input Power	P_{IN}	2200	W
Flow	v	2.1	ccm/rev
Maximum Pressure	p_M	100	bar
Maximum Flow	V_M	12	l/min
Nominal Power	P_N	1700	W
Nominal Torque	M_N	4	Nm
Nominal Speed	n_n	4000	min ⁻¹
Idle Speed	n_o	5900	min ⁻¹

dimension

